

# N 022 AND N 026 SERIES VACUUM PUMPS AND COMPRESSORS



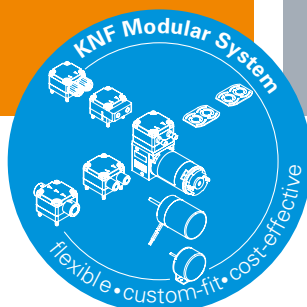
N 022 ANE with IP 20 Motor

## ADVANTAGES

- Durable even with difficult operating conditions
- Versatile in pressure and vacuum applications

## POSSIBLE AREAS OF USE

- Process industry
- Chemical industry
- Energy technology



Please visit our website  
[www.knf.com](http://www.knf.com)  
to get more information

## PERFORMANCE DATA

Series model	N 022   N 026					
Material design	ANE	AVE	ATE	SNE	SVE	STE
Pump head	Aluminum			Stainless steel		
Diaphragm	CR	FPM	PTFE-coated	CR	FPM	PTFE-coated
Valves	Stainless steel			CR	FPM	PTFE
Flow rate at atm. pressure (l/min)	15.0   20.0		13.0   17.0	15.0   20.0		13.0   17.0
Ultimate vacuum (mbar abs.)	100					
Max. operating pressure (bar rel./psig)	4.0/58.0   2.5/36.3	2.5/36.3	4.0/58.0   2.5/36.3	2.5/36.3		4.0/58.0   2.5/36.3
Permissible ambient temperature (°C)	+5 ... +40					
Permissible media temperature (°C)	+5 ... +40					
Weight (kg/lbs)	3.4/7.5 (IP 20) – 5.0/11.5 (IP 44)			5.2/11.5 (IP 20) – 6.8/15.0 (IP 44)		

## ELECTRICAL DATA

Voltage (V)	230					
Motor	Capacitor motor					
Protection class motor	IP 20			IP 44		
Frequency (Hz)	50					
Power P <sub>1</sub> (W)	100			120		
I <sub>max</sub> (A)	0.70			1.00		

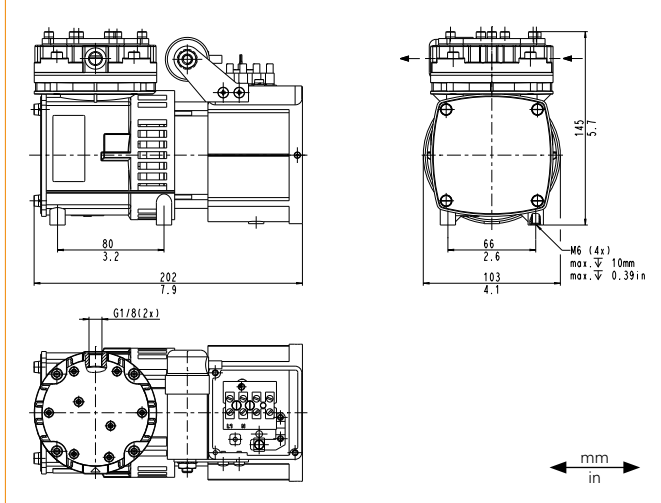
# N 022 ANE | AVE | ATE | SNE | SVE | STE

## PERFORMANCE DATA

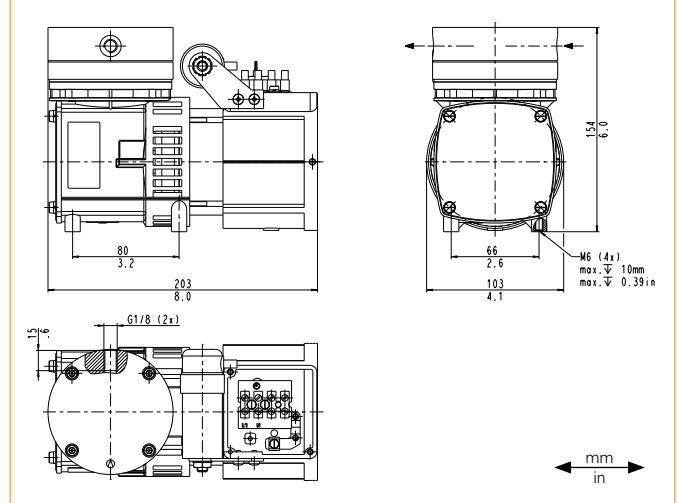
Series model	Flow rate at atm. pressure (l/min) <sup>1)</sup>	Max. operating pressure (bar rel./psig)	Ultimate vacuum (mbar abs.)
N 022 ANE	15.0	4.0/58.0	100
N 022 AVE	15.0	2.5/36.3	100
N 022 ATE	13.0	4.0/58.0	100
N 022 SNE	15.0	4.0/58.0	100
N 022 SVE	15.0	2.5/36.3	100
N 022 STE	13.0	4.0/58.0	100

<sup>1)</sup> Liter at STP

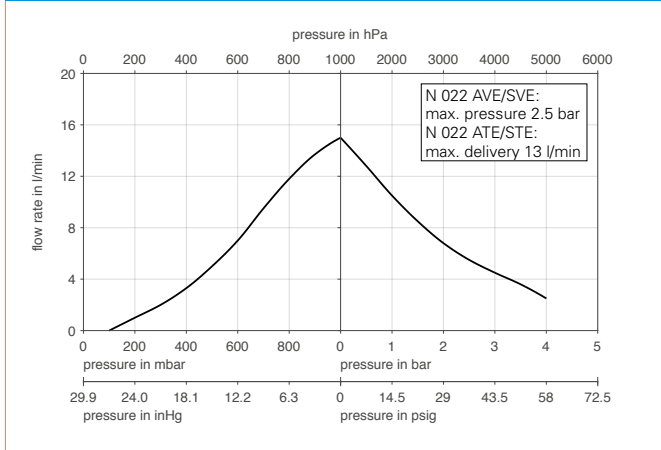
### N 022 A\_E (WITH IP 20 MOTOR)



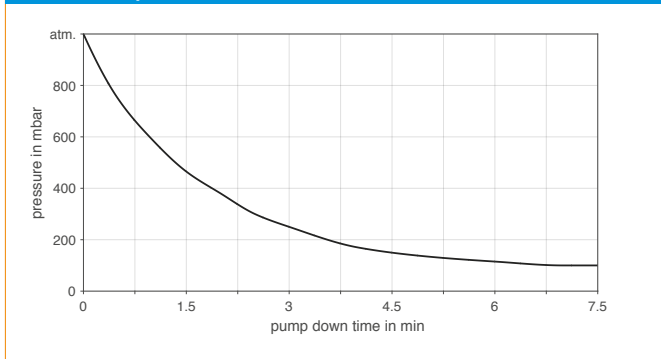
### N 022 S\_E (WITH IP 20 MOTOR)



### N 022 ANE



### N 022 ANE | PUMP DOWN TIME FOR 20 LITER VESSEL



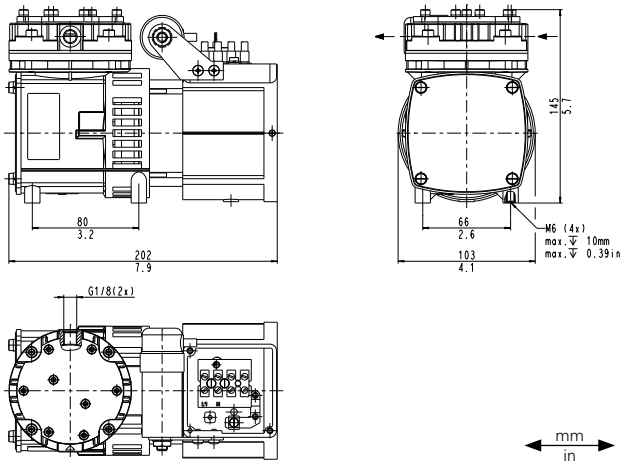
# N 026 ANE | AVE | ATE | SNE | SVE | STE

## PERFORMANCE DATA

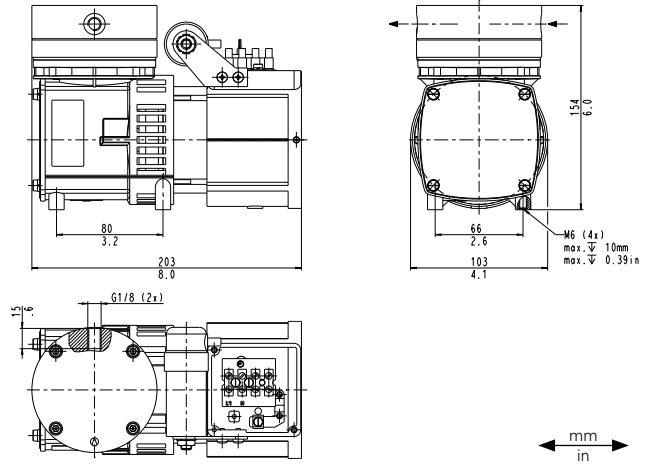
Series model	Flow rate at atm. pressure (l/min) <sup>1)</sup>	Max. operating pressure (bar rel./psig)	Ultimate vacuum (mbar abs.)
N 026 ANE	20.0	2.5/36.3	100
N 026 AVE	20.0	2.5/36.3	100
N 026 ATE	17.0	2.5/36.3	100
N 026 SNE	20.0	2.5/36.3	100
N 026 SVE	20.0	2.5/36.3	100
N 026 STE	17.0	2.5/36.3	100

<sup>1)</sup> Liter at STP

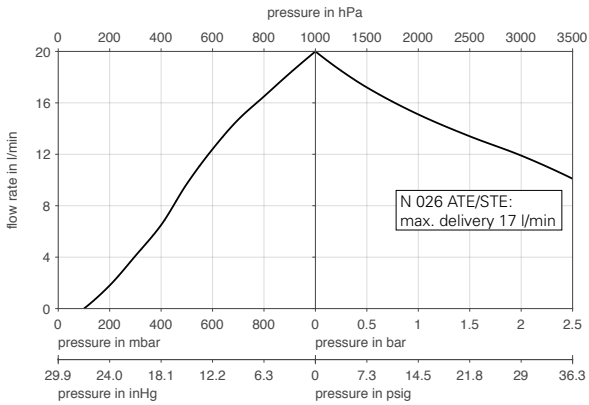
### N 026 A\_E (WITH IP 20 MOTOR)



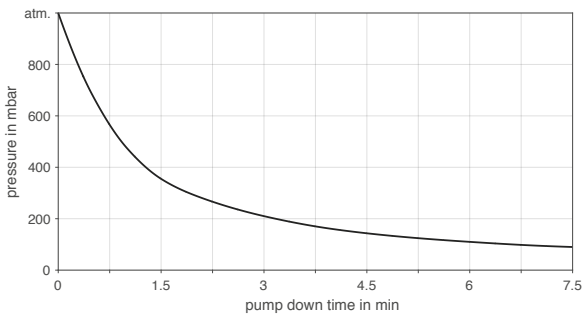
### N 026 S\_E (WITH IP 20 MOTOR)



### N 026 ANE



### N 026 ANE | PUMP DOWN TIME FOR 20 LITER VESSEL



ACCESSORIES		
Description	Part No.	Details
Silencer/Inlet filter	000346	G 1/8
Fine control valve, pressure side	000349	with pressure gauge
Fine control valve, suction side	000350	with vacuum gauge
Pressure relief valve	000351	4.0 bar for N 022 __E
Pressure relief valve	000351	2.5 bar for N 026 __E
Hose connector	000360	G 1/8
Hose connector, stainless steel	020233	G 1/8
Connection box cover	008637	

SPARE PARTS		
Description	Part No.	Details
<b>N 022 ANE   N 026 ANE</b>		
Diaphragm	001257	
Countersunk screw	110712	
Reed valve	001288	
Gasket	001273	
<b>N 022 ATE   N 026 ATE</b>		
Diaphragm	001363	
Countersunk screw	110712	
Reed valve	001288	
Gasket	008323	
<b>N 022 AVE   N 026 AVE</b>		
Diaphragm	001391	
Countersunk screw	110712	
Reed valve	001288	
Gasket	008323	
<b>N 022 SNE   N 026 SNE</b>		
Diaphragm	001257	
Countersunk screw	110712	
Reed valve	001272	
<b>N 022 STE   N 026 STE</b>		
Diaphragm	001363	
Countersunk screw	110712	
Reed valve	001364	
<b>N 022 SVE   N 026 SVE</b>		
Diaphragm	001391	
Countersunk screw	110712	
Reed valve	001392	

The performance values for the series models shown on this data sheet were determined under test conditions. The actual performance values may differ and depend in particular on the usage conditions and therefore on the specific application, on the parameters of the components involved in the user's system and on any technical modifications carried out which deviate from the standard configuration or the as delivered condition.

If individual designs have been created for specific customers on the basis of series models, other technical performance data may apply.

Before operation begins, the relevant operating instructions and/or assembly or installation instructions should be read and the safety information contained in these instructions should be noted.

KNF reserves the right to make changes to the product and the associated documentation without prior notice to the customer.



[www.knf.com](http://www.knf.com)

# YOUR LOCAL PARTNER AROUND THE WORLD

## KNF SALES ORGANIZATION

**Australia** KNF Regional Office  
Moreland West VIC 3055  
Tel. +61 3 9386 4959  
info@knf.com.au  
www.knf.com.au

**Benelux Netherlands** KNF Verder B.V.  
3451 GG Vleuten  
Tel. +31 30 677 92 40  
info@knf-verder.nl  
www.knf-verder.nl

**Benelux Belgium and Luxemburg**  
KNF Verder N.V.  
2630 Aartselaar  
Tel. +32 3 871 96 24  
info@knf.be  
www.knf.be

**China** KNF Technology (Shanghai) Co., Ltd.  
Shanghai 201203  
Tel. +86 21 5109 9695  
info@knf.com.cn  
www.knf.com.cn

**France** KNF Neuberger SAS  
68128 Village-Neuf  
Tel. +33 389 70 35 00  
info@knf.fr  
www.knf.fr

**Germany** KNF Neuberger GmbH  
79112 Freiburg  
Tel. +49 7664 5909 0  
info@knf.de  
www.knf.de

**India** KNF Pumps + Systems (India) Pvt. Ltd.  
Hinjewadi Pune 411 057  
Tel. +91 20 640 13 923  
info@knfpumps.in  
www.knfpumps.in

**Italy** KNF Italia S.r.l.  
20063 Cernusco s. Naviglio (MI)  
Tel. +39 02 929 04 91  
info@knf.it  
www.knf.it

**Japan** KNF Japan Co. Ltd.  
Tokyo 104-0033  
Tel. +81 3 3551 7931  
info@knf.co.jp  
www.knf.co.jp

**Korea** KNF Neuberger Ltd.  
135-502 Seoul  
Tel. +82 2 959 0255  
knf@knfkorea.com  
www.knfkorea.com

**Latin America** KNF Regional Office  
Tel. +1 609 649 1010  
gb@knf.com  
www.knf.com/es

**Morocco, Tunisia, Algeria**  
KNF Neuberger SAS  
68128 Village-Neuf  
Tel. +33 389 70 35 00  
info@knf.fr  
www.knf.fr

**Singapore** KNF Regional Office  
Tel. +65 9722 1994  
info@knf.com.sg  
www.knf.com.sg

**Sweden, Finland, Denmark, Norway**  
KNF Neuberger AB  
117 43 Stockholm  
Tel. +46 8 744 51 13  
info@knf.se  
www.knf.se

**Switzerland** KNF Neuberger AG  
8362 Balzerswil  
Tel. +41 71 973 99 30  
knf@knf.ch  
www.knf.ch

**UK, Ireland** KNF Neuberger U.K., Ltd.  
Witney, Oxfordshire OX28 4FA  
Tel. +44 1993 77 83 73  
info@knf.co.uk  
www.knf.co.uk

**USA, Canada** KNF Neuberger, Inc.  
Trenton, NJ 08691-1810  
Tel. +1 609 890 8600  
knfusa@knf.com  
www.knfusa.com

## KNF PRODUCT CENTERS

**Gas Pumps** KNF Neuberger GmbH  
DE-79112 Freiburg  
info@knf.de  
www.knf.de

**Micro Gas Pumps** KNF Micro AG  
CH-6260 Reiden  
info@knf-micro.ch  
www.knf-micro.ch

**Liquid Pumps** KNF Flodos AG  
CH-6210 Sursee  
info@knf-flodos.ch  
www.knf-flodos.ch